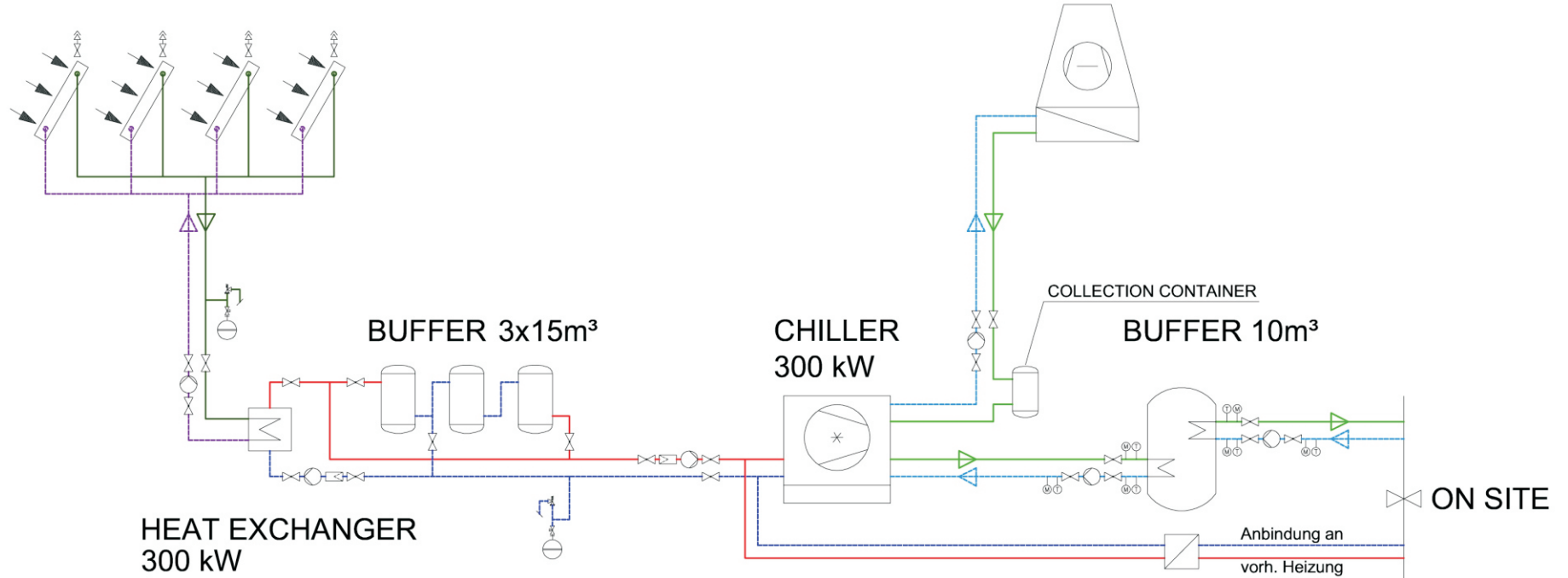


HVAC System Schematic  
for Greensfelder Recreational Complex, St. Louis County, Missouri

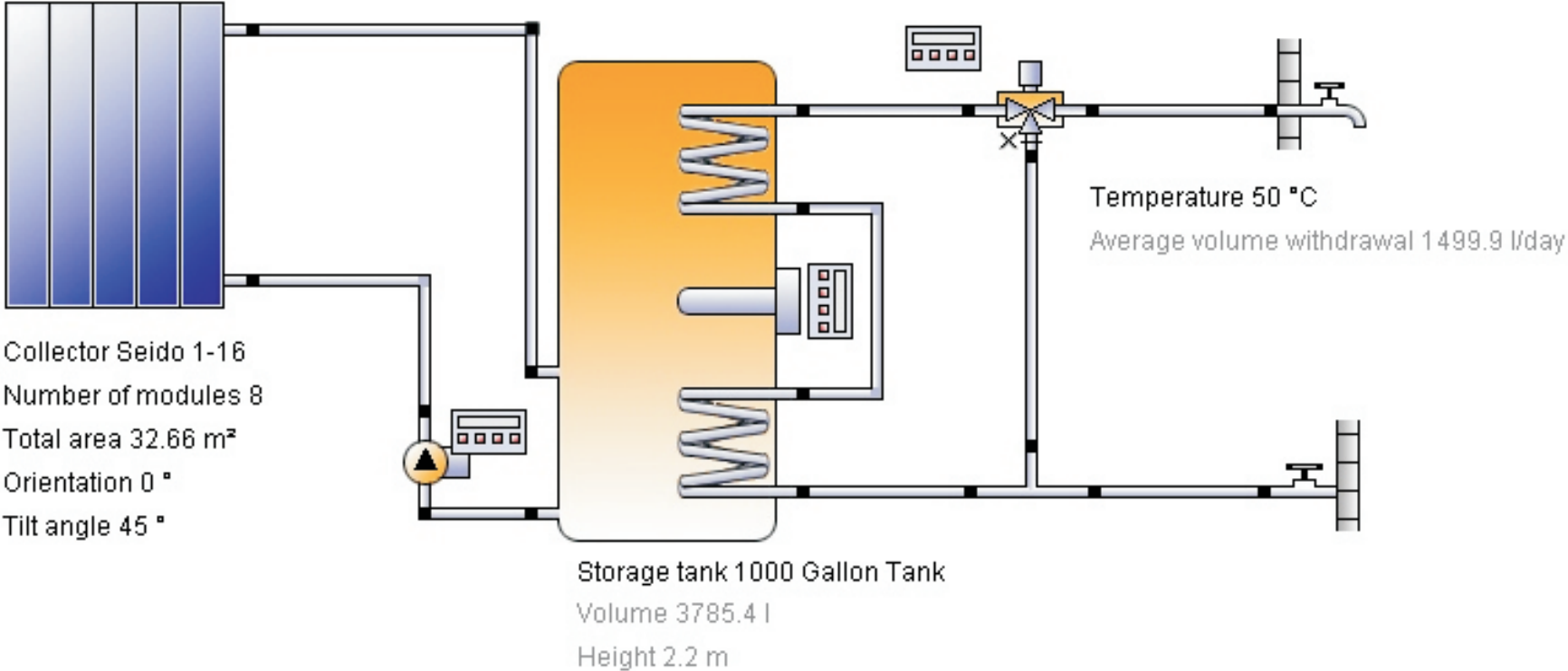
200 x SOLAR - MODULES

HEAT EXCHANGER  
509 kW

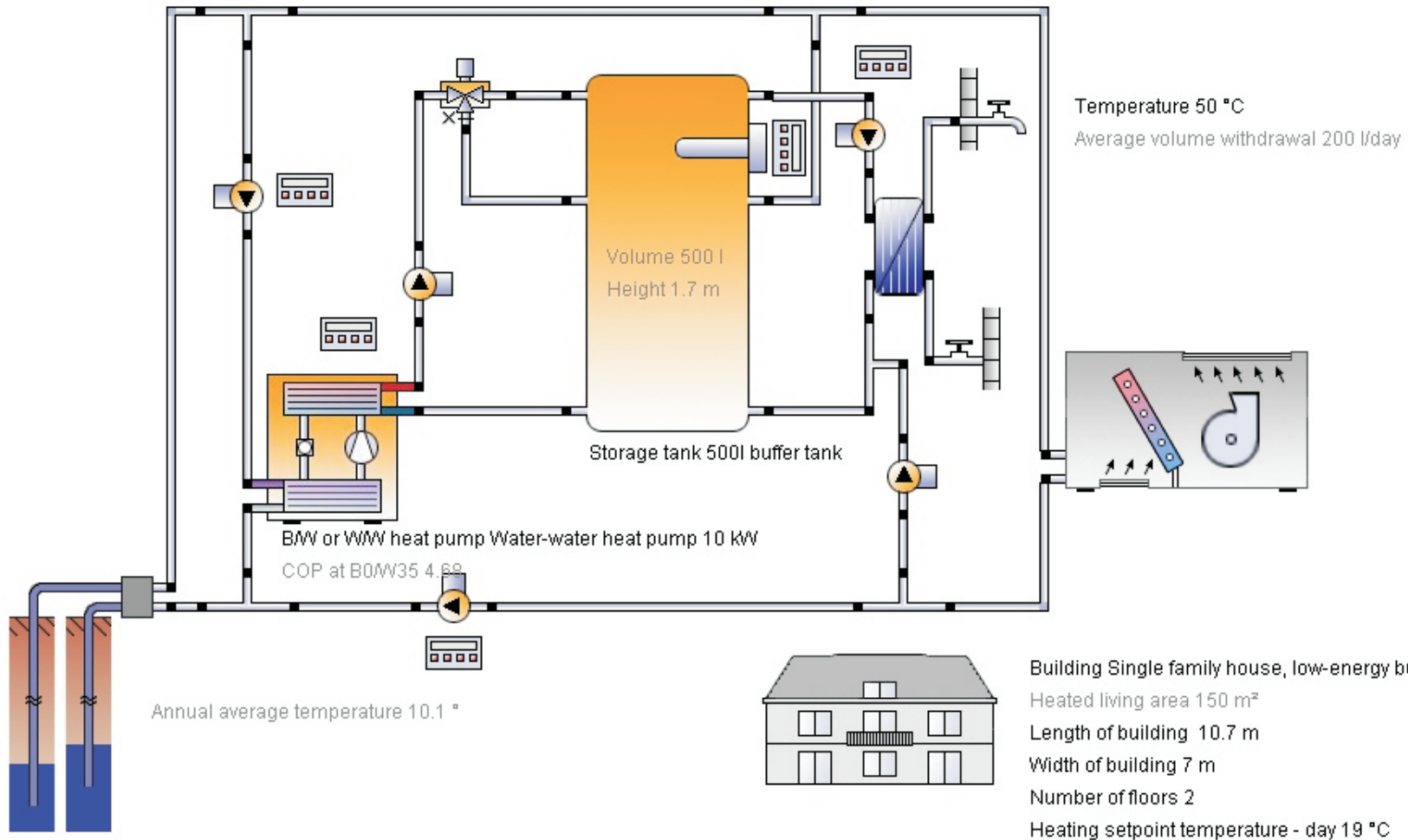


GREENSFELDER REC. COMPLEX

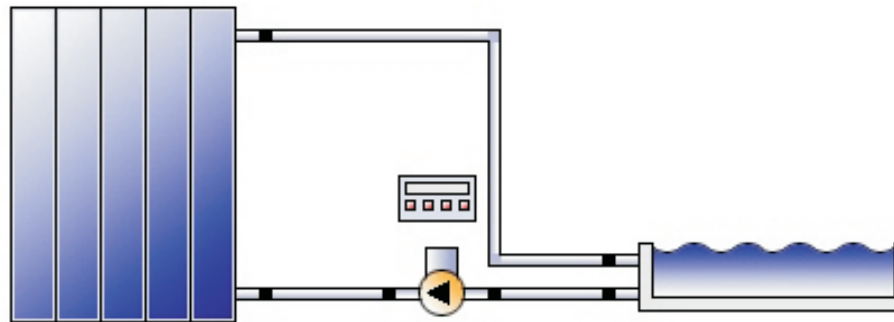
# Typical Water Heating Schematic



# Typical Space and Heating Schematic



## Typical Pool Heating Schematic



Temperature setting 20 °C

Length 12 m

Width 8 m

Average depth 1.2 m

Collector Seido 1-16

Number of modules 48

Total area 195.94 m<sup>2</sup>

Orientation 0 °

Tilt angle 35 °